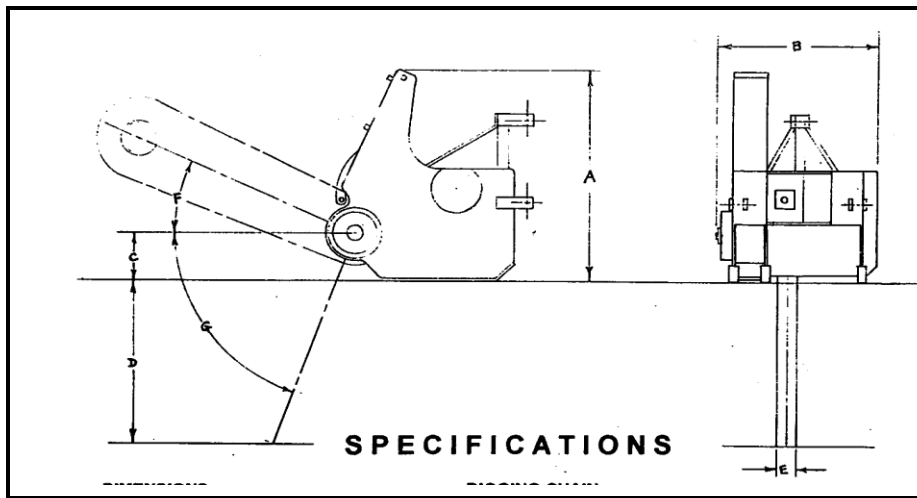


TRENCH-IT TPL Three-point Linkage Trencher



Built for compact tractors, easily attached and removed. Suitable for tractors with hydrostatic drive or creep gear 0.2kph or 0.12miles/hr.

DIMENSIONS

	US	METRIC
A Trencher Height	38"	970mm
B Trencher Width	43"	1.1 m
C Headshaft Height	8"	205mm
D Trench Depth	40 - 48"	1m - 1.2m
E Trench Width	5 - 10"	125 -250mm
F Boom Travel, Up	25°	25°
G Boom Travel, Down	70°	70°

TRENCHER DRIVE

Through PTO of prime mover – max 45HP.
To right angle gearbox, then chain drive to headshaft inside enclosed chaincase.

HYDRAULIC SYSTEM

Double acting cylinder to raise and lower digging boom.

TRENCHING

Width variable, from 5"/125mm minimum to 10"/250mm maximum
40"/1m Clean trench – standard boom
48"/1.2m Clean trench – long boom

DIGGING CHAIN

1.654" (34,000lb test)
2" (50,000lb test)

SPOIL HANDLING

Single Auger places soil neatly to one side.

WEIGHT 750lbs or 340kg

CRUMBER BAR grades trench as you go.

SLIP CLUTCH protects tractor and trencher from undue shock loading.

WEAR PARTS quality USA trenching parts, with tungsten carbide cutting teeth.



HEADQUARTERS PO BOX 16098, Tauranga, New Zealand

T +64 7 5781612 F +64 7 571 8808

Email trenchitnz@xtra.co.nz

Website www.trenchit.co.nz